

MASCOT



**High End
Technology**

**Tight
Shutoff**

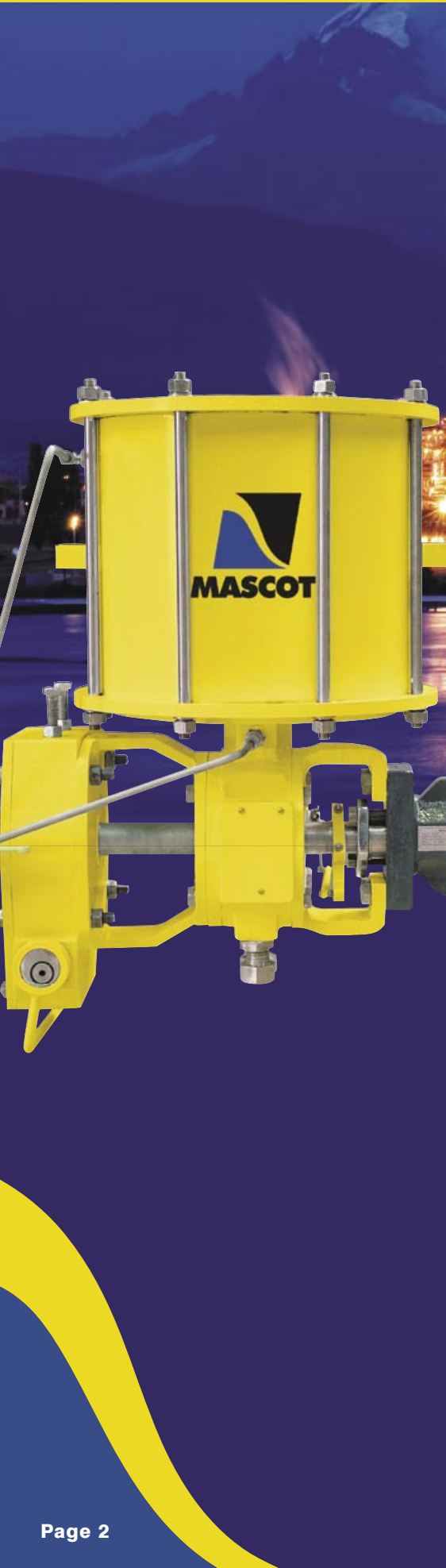


Reliability

**Expertise you
can trust**

DISKFLO
High Performance Butterfly Valves





DISKFLO

Design Features

- Heavy duty industrial design
- High Cv capacity
- Eccentric cammed disk
- Double offset design
- Low break out torque
- Metal seat – class IV shutoff
- Soft seat – class VI shutoff
- High torque actuator
- Wide range of alloys
- Pressure ratings up to ANSI CL1500

Quality Assurance

- ISO 9001
- Hydrostatic test to ASME B16.34
- Seat leak test to ASME / FCI 70-2

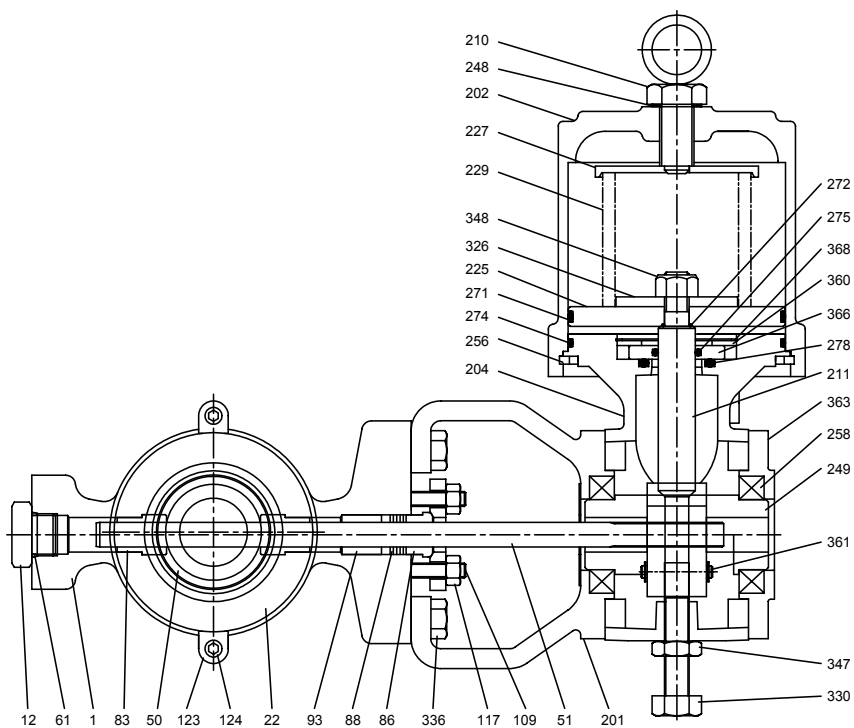
Ease of Maintenance

- Minimal spare parts requirements
- High degree of interchangeability between valve sizes and pressure ratings
- Actuators are field reversible from fail closed to open and vice versa
- 3 actuator sizes typically cover 95% of all actuator requirements for both fail open and fail closed

Specification

Body Type:	Wafer, light in weight, provides maximum flow and minimum pressure drop
Size:	2.0" To 42.0"
Pressure Class:	Up to ANSI CL 1500
Body Material:	All castable alloys
End Connections:	Wafer, lugged, flanged
Gland Packing:	PTFE, braided PTFE, grafoil
Seat Ring:	Clamped-in, self aligned,
Disc:	Double eccentric cammed
Shaft:	Splined no lost motion or dead band
Characteristics:	Equal percentage, linear and on-off
Actuator:	Rotary spring cylinder; fully field reversible
Positioner:	High performance analogue and digital

DISKFLO Components



1	Body	211	Actuator Stem
22	Seat Retainer	225	Piston
50	Disk	227	Spring Button
51	Shaft	229	Spring
61	Adapter O Ring	248	Gasket Adjusting Screw
83	Bearing Stem	249	Lever Arm
86	Follower Packing	256	Retaining Ring Cylinder
88	Packing Set	258	Bearing Lever Arm
93	Packing Spacer	271	Piston O Ring
109	Packing Box Stud	272	Piston Stem O-Ring
117	Packing Box Nut	274	Cylinder O Ring
122	Plug Hex Head	275	Actuator Stem Locknut
123	Clip	360	Sliding Seal Top Clamp
124	Bolt	361	Pivot Pin
201	Yoke	363	Cover Plate
202	Cylinder	366	Sliding Seal Coller
204	Transfer Case	368	Spiral Retaining Ring
210	Adjusting screw		





GFLO

High Performance Single Seated Globe Control Valve

Body type: 2way, 3way, angle & jacketed
 Size: 0.5" to 30.0"
 Pressure Class: . . . Up to ANSI CL 4500
 Body Material: . . . All castable alloys
 End Connections: . Flanged, screwed, butt and socket welded
 Bonnet: Standard, extended, cryogenic & bellow sealed
 Guiding: Heavy duty double top stem
 Gland Packing: . . . PTFE, braided PTFE, grafoil, low fugitive emission
 Gaskets: PTFE, spiral grafoil
 Seat Ring: Clamped-in, self aligned
 Plug: Solid one piece construction with large stem diameter
 Characteristics: . . . Equal percentage, linear and on-off
 Rangeability: 50:1
 Special Trims: CAVFLO, MEGAFLO, GFLO VC
 Actuator: Linear spring cylinder, fully field reversible
 Air Pressure: 2.0 to 10.0 Bar
 Shut off class: With metal seat - ANSI IV or V and replaceable soft seat - ANSI VI



VFLO

High Performance V-Ball Control Valve

Body Type: One-Piece VFLO Ball, straight-through
 Size: 0.5" to 18.0"
 Pressure Class: . . . Up to ANSI CL 900
 Body Material: . . . All castable alloys
 End Connections: . Flangeless, flanged (integral and separable flange)
 Gland Packing: . . . PTFE, braided PTFE, grafoil
 Seat Ring: Clamped-in, self aligned, bi-directional
 Ball: Segmented V-notch ball, reduces clogging, shearing action fibrous fluids
 Shaft: Splined-No lost motion or dead band
 Characteristics: . . . Equal percentage, linear and on-off
 Rangeability: 300:1
 Actuator: Rotary spring cylinder, fully field reversible
 Air Pressure: 2.0 to 10.0 Bar
 Shut off class: With metal seat - ANSI IV and replaceable soft seat - ANSI VI



DISKFLO

High Performance Wafer style Butterfly Control Valve

Body Type: Wafer, light in weight, provides large flow and minimum pressure drop
 Size: 2.0" to 42.0"
 Pressure Class: . . . Up to ANSI CL 1500
 Body Material: . . . All castable alloys
 End Connections: . Wafer, lugged, flanged
 Gland Packing: . . . PTFE, braided PTFE, grafoil
 Seat Ring: Clamped-in, self aligned
 Disc: Double eccentric cammed
 Shaft: Splined no lost motion or dead band
 Characteristics: . . . Equal percentage, linear and on-off
 Actuator: Rotary spring cylinder, fully field reversible
 Shut off class: With metal seat - ANSI IV and replaceable soft seat - ANSI VI



SEVERE SERVICE

Cavitation, Noise Abatement, Velocity Control Trim

Body Type: 2way, angle & jacketed
 Size: 0.5" to 30.0"
 Pressure Class: . . . Up to ANSI CL 4500
 Body Material: . . . All castable alloys
 End Connections: . Flanged, screwed, butt and socket welded
 Bonnet: Standard, extended, cryogenic & bellow sealed
 Guiding: Heavy duty double top stem
 Gland Packing: . . . PTFE, braided PTFE, grafoil, low fugitive emission
 Gaskets: PTFE, spiral grafoil filled SS
 Seat Ring: Clamped-in, self aligned
 Plug: Solid one piece construction with large stem diameter
 Characteristics: . . . Equal percentage, linear and on-off
 Actuator: Linear spring cylinder, fully field reversible
 Air Pressure: 2.0 to 10.0 Bar
 Shut off class: With metal seat - ANSI IV or V and replaceable soft seat - ANSI VI

MASCOT Industrial

15A Randor Street Campbellfield, Victoria 3061 Australia

Tel: +61 3 9357 6555 | Fax: +61 3 9357 6566 | Email: sales@mascot-industrial.com | Web: www.mascot-industrial.com