

MASCOT



**High End
Technology**

**Tight
Shutoff**



Reliability

**Expertise you
can trust**

EFLO Eccentric Plug

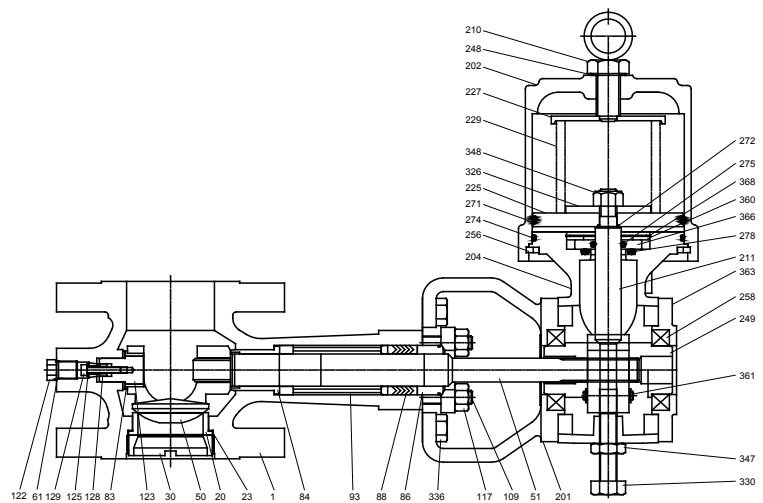




EFLO Specifications

- Body Type: Eccentric Plug – Rotary Globe
- Size: 1.0" to 16.0"
- Pressure Class: ANSI CL150 to ANSI CL600
- End Connections: Flangeless, Flanged
- Body Material: Carbon Steel, 316SS, 304SS, Duplex SS, Hastelloy B&C, Zirconium, Titanium, Other Castable Alloys
- Trim Material: 316SS, 304SS, Alloy 6, Alloy 20, Duplex SS, Hastelloy B&C, Inconel, Zirconium, Titanium, Tungsten Carbide, Ceramic
- Shut off class: Class IV and Class VI
- Characteristics: Equal Percentage, Linear
- Air Pressure: 2.0 To 10.0 Bar
- Rangeability: 160:1
- Gland Packing: PTFE, Braided PTFE, Grafoil
- Actuator: Pneumatic Spring Cylinder / Electric
- Positioner: High Performance Analogue & Digital

EFLO Components



ITEM NO.	PART NAME	ITEM NO.	PART NAME
1	BODY	210	ADJUSTING SCREW
20	SEAT RING	211	ACTUATOR STEM
23	SEAT SPACER (SHIM)	225	PISTON
30	SEAT RETAINER	227	SPRING BUTTON
50	PLUG	229	SPRING
51	SHAFT	248	GASKET, ADJUSTING SCREW
61	ADAPTER O-RING	249	LEVER ARM
83	BEARING, POST	256	RETAINING RING, CYLINDER
84	BEARING, SHAFT	258	BEARING, LEVER ARM
86	FOLLOWER PACKING	271	PISTON O-RING
88	PACKING SET	272	PISTON STEM O-RING
93	PACKING SPACER	274	CYLINDER O-RING
109	PACKING BOX STUD	275	ACTUATOR STEM O-RING
117	PACKING BOX NUT	278	BASE SLIDER O-RING
122	PLUG, HEX. HEAD	326	SPRING GUIDE
123	POST	330	STROKE STOP BOLT
125	LOCK WASHER	336	YOKE BOLT
128	LOCKING CONE	347	STROKE STOP JAM NUT
129	POST LOCKING SCREW	348	ACTUATOR STEM LOCKNUT
201	YOKE	360	SLIDING SEAL TOP CLAMP
202	CYLINDER	361	PIVOT PIN
204	TRANSFER CASE	363	COVER PLATE
		366	SLIDING SEAL COLLER
		368	SPIRAL RETAINING RING

EFLO Features

Design Features

- Heavy Duty Industrial Design
- High Cv Capacity
- High Rangeability (160:1)
- Different Trim Sizes
- Low Break Out Torque
- Metal Seat – Class IV Shutoff
- Soft Seat – Class VI Shutoff
- High Torque Actuator
- Wide Material Availability

Ease of Maintenance

- Minimal Spare Parts Requirements
- High degree of interchangeability between pressure ratings
- Actuators are field reversible from fail closed to open and vice versa
- 3 actuator sizes typically cover 95% of all actuator requirements for both fail open and fail closed

Quality Assurance

- ISO 9001
- Hydrostatic test to ASME B16.34
- Seat leak test to ASME / FCI 70-2





GFLO

High Performance Single Seated Globe Control Valve

Body type: 2way, 3way, angle & jacketed
 Size: 0.5" to 30.0"
 Pressure Class: . . . Up to ANSI CL 4500
 Body Material: . . . All castable alloys
 End Connections: . . Flanged, screwed, butt and socket welded
 Bonnet: Standard, extended, cryogenic & bellows sealed
 Guiding: Heavy duty double top stem
 Gland Packing: . . . PTFE, braided PTFE, grafoil, low fugitive emission
 Gaskets: PTFE, spiral grafoil
 Seat Ring: Clamped-in, self aligned
 Plug: Solid one piece construction with large stem diameter
 Characteristics: . . . Equal percentage, linear and on-off
 Special Trims: CAVFLO, MEGAFLO, GFLO VC
 Actuator: Linear spring cylinder, fully field reversible
 Shut off class: With metal seat - ANSI IV or V and replaceable soft seat - ANSI VI



VFLO

High Performance V-Ball Control Valve

Body type: One-Piece VFLO Ball, straight-through
 Size: 0.5" to 18.0"
 Pressure Class: . . . Up to ANSI CL 900
 Body Material: . . . All castable alloys
 End Connections: . . Flangeless, flanged (integral and separable flange)
 Gland Packing: . . . PTFE, braided PTFE, grafoil
 Seat Ring: Clamped-in, self aligned, bi-directional
 Ball: Segmented V-notch ball, reduces clogging, shearing action fibrous fluids
 Shaft: Splined-No lost motion or dead band
 Characteristics: . . . Equal percentage, linear and on-off
 Rangeability: 300:1
 Actuator: Rotary spring cylinder, fully field reversible
 Shut off class: With metal seat - ANSI IV and replaceable soft seat - ANSI VI



DISKFLO

High Performance Wafer style Butterfly Control Valve

Body type: Wafer, light in weight, provides large flow and minimum pressure drop
 Size: 2.0" to 42.0"
 Pressure Class: . . . Up to ANSI CL 1500
 Body Material: . . . All castable alloys
 End Connections: . . Wafer, lugged, flanged
 Gland Packing: . . . PTFE, braided PTFE, grafoil
 Seat Ring: Clamped-in, self aligned
 Disc: Double eccentric cammed
 Shaft: Splined no lost motion or dead band
 Characteristics: . . . Equal percentage, linear and on-off
 Actuator: Rotary spring cylinder, fully field reversible
 Shut off class: With metal seat - ANSI IV and replaceable soft seat - ANSI VI



SEVERE SERVICE

Cavitation, Noise Abatement, Velocity Control Trim

Applications:

- Anti-cavitation trims
- Noise attenuation trims
- Multistage "velocity control" anti-cavitation
- Trims for liquid applications
- Multistage "velocity control" noise attenuating trims
- Choke applications

MASCOT Industrial

15A Randor Street Campbellfield, Victoria 3061 Australia

Tel: +61 3 9357 6555 | Fax: +61 3 9357 6566 | Email: sales@mascot-industrial.com | Web: www.mascot-industrial.com

The contents of this brochure are provided for informational purposes only. Whilst every effort has been made to ensure the accuracy of the information and specifications provided, they are not to be construed as warranties or guarantees, express or implied, regarding any matter in relation to this product. MASCOT Industrial reserves the right to modify or improve designs and as such the information and specifications provided in this brochure are subject to change without notice. MASCOT Industrial does not accept responsibility for the selection, use and maintenance of any product. Responsibility for the selection, use and maintenance of any product remains with the purchaser and end user.